



- **Low cost**
- **2.25" ball diameter**
- **3.0" square panel mounting**
- **Quadrature output**
- **Smooth continuous tracking**

Series 225 Trackballs are the perfect solution to workstation applications where space is at a premium. Combining a dust and moisture resistant integral floating seal with an ergonomic profile, the Series 225 Trackball design provides environmental integrity in addition to a stable and comfortable feel.

The Series 225 delivers direct quadrature square waves that are available with CMOS/TTL compatible or optional line driver outputs.

Series 225 Trackballs are sized with a small 3.0" foot print for most keyboard, or panel mount applications making them ideal for CAD/CAM, workstation, graphic terminals, personal computers, and wherever space or the environment are concerns.

The reduced component count design makes the Series 225 Trackball the economical and reliable solution to your cursor control needs.

## SPECIFICATIONS

### Electrical

**Pulses Per Revolution:** (125, 192 or 250) ±10%

**Output Signals:** Quadrature square wave

#### **Interface:**

LQ225: Cmos/TTL

LD225: Line driver, TC4428 or equivalent

**Input Power:** 5 VDC ±5% @ 200 mA. max.

**Connector Options:** 6" Cable with 16 pin T&B ANSLEY #609-1601M CONN. or DA15P.

### Mechanical

**Weight:** 10 oz. max.

**Tracking Force:** 2.5 oz. (70 gr.), max.

**Ball Load:** 50 lbs. max., downward

**Enclosure:** ABS (Cyclocac KJT) black

**Ball Seal:** Teflon graphite

**Ball:** Thermoset phenolic, 2.25" dia., black

**Resolver:** Optical Encoders

**Speed:** 200 RPM MAX.

**Mount Position:** Omnidirectional

### Environmental

#### **Temperature:**

*Operating:* +5 deg. C to +50 deg. C

*Storage:* -25 deg. C to 65 deg C.

**Humidity:** 30% min., 95% max., non-condensing.

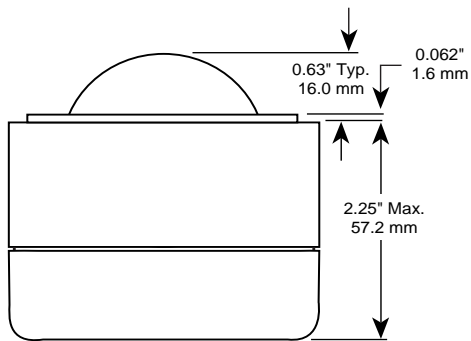
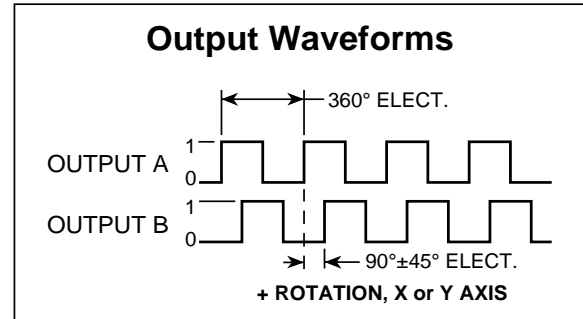
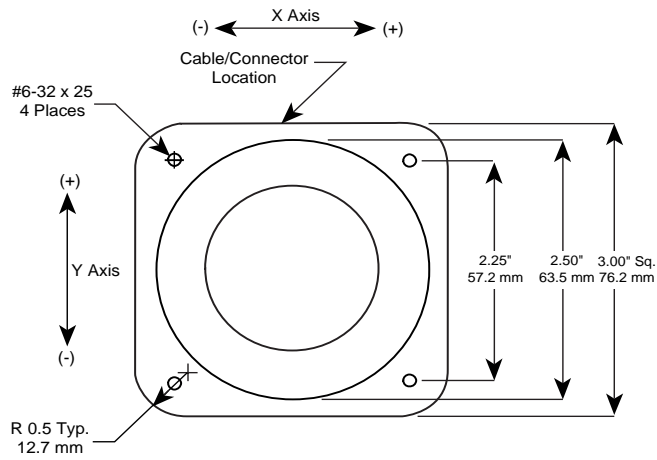
**Vibration:** 5-60Hz 5G's

**Shock:** 15 G's 11 mSec

## Electrical Connections

PIN	Connector Type	
	609-1601M	DA15P
1	Y <sub>A</sub>	Y <sub>A</sub>
2	Y <sub>A</sub>	Y <sub>B</sub>
3	Y <sub>B</sub>	X <sub>A</sub>
4	Y <sub>B</sub>	X <sub>B</sub>
5	X <sub>A</sub>	Y <sub>A</sub>
6	X <sub>A</sub>	Y <sub>B</sub>
7	X <sub>B</sub>	X <sub>A</sub>
8	X <sub>B</sub>	X <sub>B</sub>
9	N/C	N/C
10	Ground	N/C
11	N/C	N/C
12	N/C	N/C
13	N/C	Ground
14	+5 VDC	N/C
15	N/C	+5 VDC

**Approximate Dimensions (inches/mm)**



**Ordering Information**

Complete the model number with the 3 digit code for PPR

Output	Connector	Model No.
Cmos/TTL	609-1601M	LQ225-___-01
Cmos/TTL	DA15P	LQ225-___-02
Line Driver	609-1601M	LD225-___-01
Line Driver	DA15P	LD225-___-02

Resolution (PPR) Options
125
192
250